



JAWAHARLAL NEHRU TECHNOLOGICAL UNIVERSITY HYDERABAD

(Established by JNTU Act No. 30 of 2008)

Kukatpally, Hyderabad – 500 085 Telangana (India)

Dr. V.Kamakshi Prasad

M.Tech.,Ph.D.(IIT-M),FIE.,MIEEE,MCSI, LMISTE

**Professor of Computer Science and Engineering &
DIRECTOR OF EVALUATION**

Lr.No.DE/New Branch Code/HT Nos. Generation/2020, dt.23-11-2020

To
The Principal
The JNTUH Constituent, affiliated and Autonomous colleges.

Sub: JNTUH – Branch Code for Hall Ticket Number generation - Regarding.

Ref: University order No. A1/New B.Tech. Courses/2020 Dt.28-02-2020.

With vide reference cited above, the JNTUH has issued approval orders for new B.Tech. courses (with branch code), for B.Tech. Programme in Computer Engineering (Software Engineering), Computer Science and Engineering (Cyber Security), Computer Science and Engineering (Artificial Intelligence and Machine Learning), Computer Science and Engineering (Data Science), Computer Science and Engineering (IoT) and Computer Science and Engineering (Networks) from the academic year 2020-2021.

In this regard the Course Code are assigned for B.Tech. Degree Course is 'A'. The following table provides branch codes that are to be used in Hall Ticket Number generation.

| S. No | Name of the course | Branch code |
|-------|---|-------------|
| 1 | Computer Engineering (Software Engineering) | 56 |
| 2 | Computer Science and Engineering (Cyber Security) | 62 |
| 3 | Computer Science and Engineering (Artificial Intelligence and Machine Learning) | 66 |
| 4 | Computer Science and Engineering (Data Science) | 67 |
| 5 | Computer Science and Engineering (IoT) | 69 |
| 6 | Computer Science and Engineering (Networks) | 70 |

The 10 character alphanumeric string format is available in Annexure.

Yours Sincerely,

Sd/-

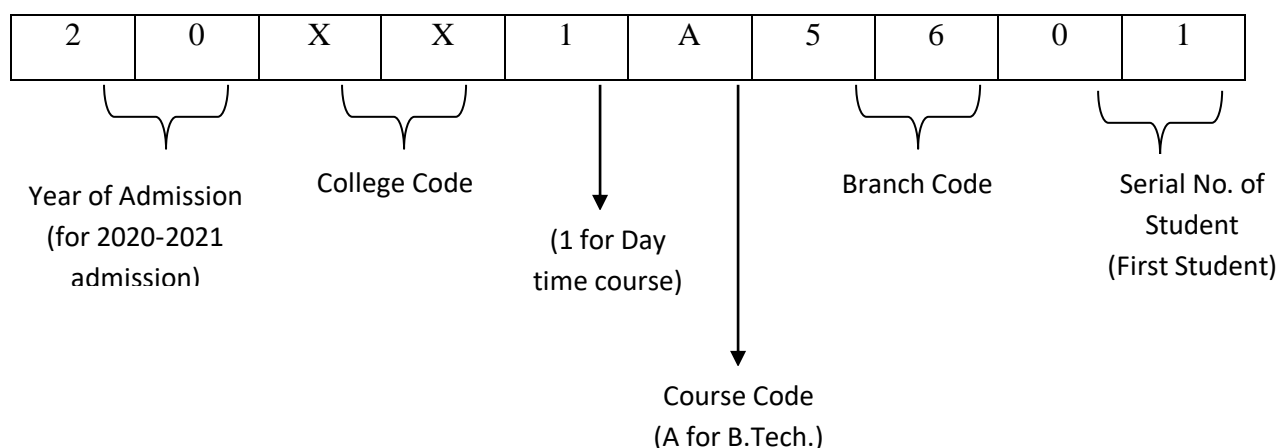
DIRECTOR OF EVALUATION

Encl : Annexure

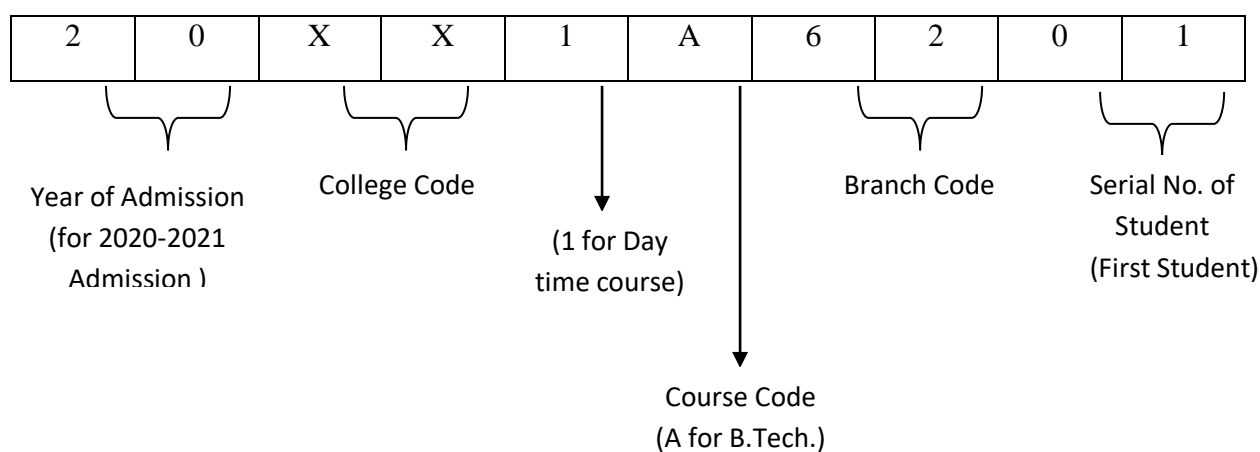
CC : Director of Academic Planning,
Controller of Examinations.

KEY FOR GENERATION OF HALL TICKET NUMBERS

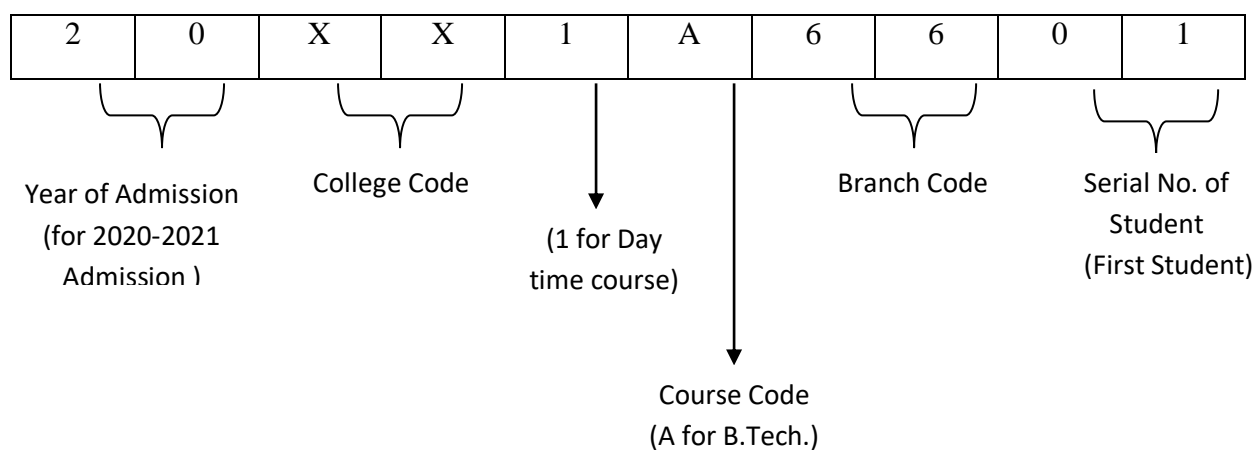
For the Students of **B.Tech. (Computer Engineering (Software Engineering))** course



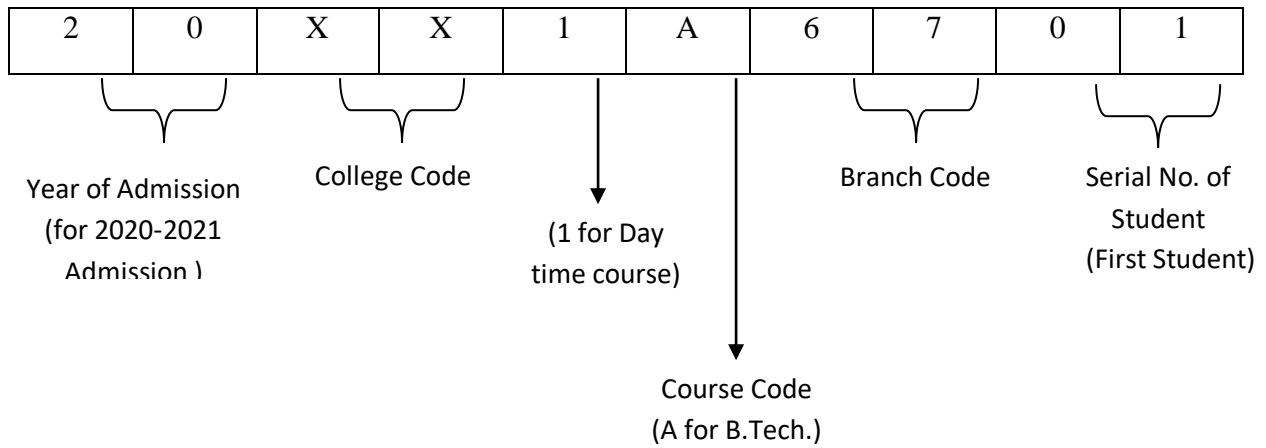
For the Students of **B.Tech. (Computer Science and Engineering (Cyber Security))** course



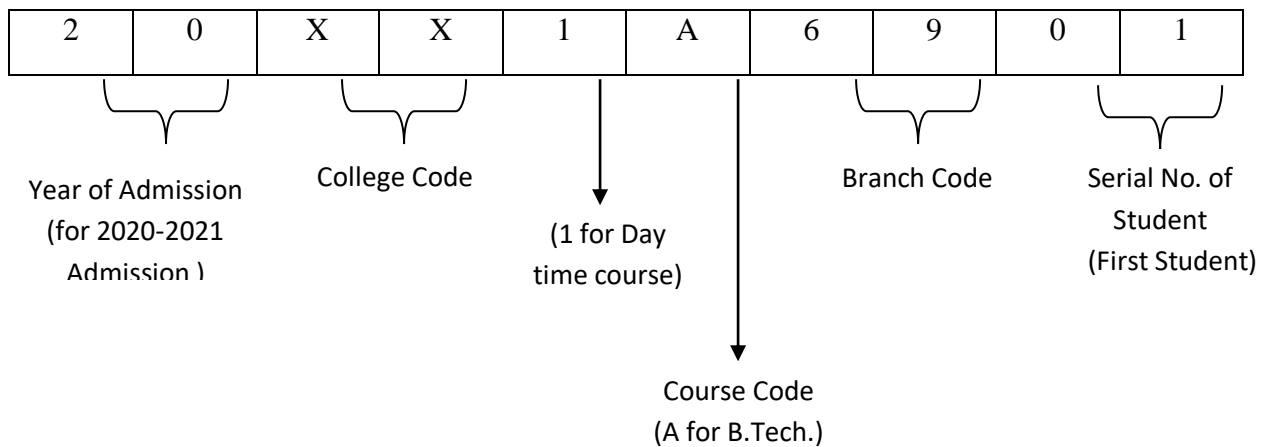
For the Students of **B.Tech. (Computer Science and Engineering (Artificial Intelligence and Machine Learning))** course



For the Students of **B.Tech. (Computer Science and Engineering (Data Science))** course



For the Students of **B.Tech. (Computer Science and Engineering (IoT))** course



For the Students of **B.Tech. (Computer Science and Engineering (Networks))** course

